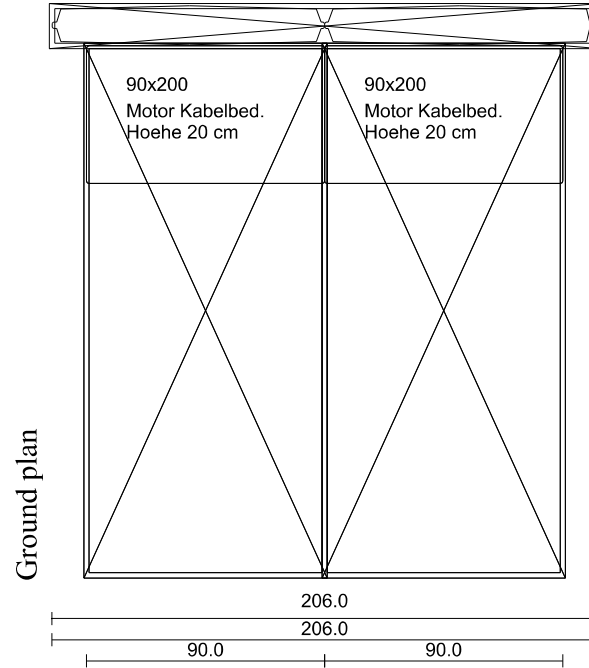
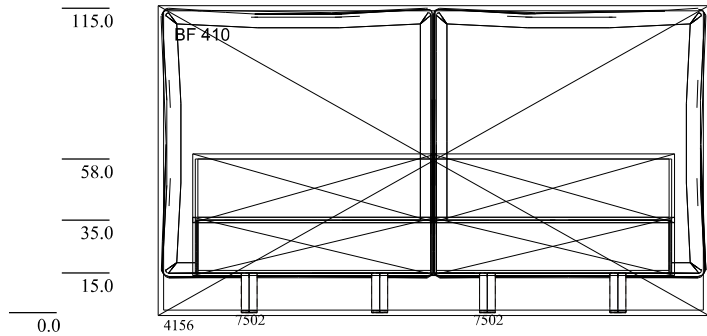


RH 250.0



*271123 Matratze
*271122 Matratze

Rows

A

B

HB04 [f8wj 6nuu] 13.10.2023

| | | | | |
|--------------------------------------|--|--|--|--|
| Furniture fabric cover M201 green | | | | |
| Finish legs Black lacquer | | | | |

| |
|---------------------|
| Project number: |
| commission / client |
| Customer: |