

hülsta 

Die Möbelmarke.

Wendula

4/18

E

www.huelsta.com

Type list

LIVING



VEDUA

Contents

	Page
Range introduction, list of versions, important notes	2-3
Special combinations	4
Suggested combinations	5
Lowboards	6
Top units for lowboards, wall lowboards	7
Sideboards	8
Single units, highboards	9
Cabinets, bookcase unit, stand alone units	10
Wall units, wall cabinet, wall bookcase unit	11
Angled shelves with glass shelf, lower shelf and rear wall in glass version	12
Media lowboards	13
Accessories for media lowboards	14-15
Column system, flat screen supports	16
Wall shelves, accessories for drawers	17
Lamps, Magic-Tronic, remote control unit	18-19
Dining, coffee tables	20
General information:	
Cable apertures	22
Switch options for lamps	23-25
Special-sized products, special articles	26
Important notes: quality of walls / assembly instruction	27

Solid wood is irresistibly natural

With VEDUA, hülsta has translated contemporary living and dining concepts into the co-sily attractive language of solid wood. If you choose this range, you will appreciate the true value of wood and craftsmanship. Its crisp, high-quality style is perfectly underlined by exclusive details and accents. Innovative functional features and interesting media options stand up to every demand of modern life.

Naturally valuable:

Naturally grown, each tree features its own unique graining. Solid wood furniture certainly reflects this uniqueness in a special way. For VEDUA, we exclusively use selected beech or oak trunks.

Timeless style – modern design:

With VEDUA, the design clearly emphasises the high-quality solid wood. The rounded carcasses and the softened cover surfaces underline the effect of the wood type. Beautiful in combination with rounded glass and cleverly shaped handles.

Endless design possibilities:

VEDUA has been designed as a single unit range for living and dining rooms. It can be planned as an individual unit or as a combination of several selected pieces. There is a large choice of suspended and stand-alone units in different sizes to deliver either a vertical or horizontal scheme.

Detailed craftsmanship:

VEDUA is worth a closer look. The soft curves, also repeated by the glass panels reflect true craftsmanship. The matching design of cover surfaces and handles is simply extraordinary and typical of VEDUA.

List of versions

Model no.	Versions	Price group
800 801	Solid structured beech Solid natural oak	I II

Handle versions

Handle in high-gloss chrome or matt chrome		Handle in high-gloss chrome or matt chrome with wooden application	
High-gloss chrome	101	High-gloss chrome/ Structured beech	102
Matt chrome	104	High-gloss chrome/ Natural oak	103
		Matt chrome/ Structured beech	105
		Matt chrome/ Natural oak	106

Important notes

Handles:

Handles in high-gloss chrome or matt chrome, optionally with wooden application.
Please state the required version clearly in the order! Handles with hülsta logo.

Doors:

Sideward distance must be 10 cm (per door) to open doors fully.

Glass panels:

Glass doors and flaps with panels of clear glass. All fitted glass shelves behind fronts are of clear glass.

Lower shelf and rear wall behind glass panels and in open compartments:

Lower shelf and rear wall behind glass panels and in open compartments in wood version (grain of rear walls is transverse) or in glass versions, optionally rear-lacquered in white or grey.

Please state the required version clearly in the order!

Standard interior fittings:

Fitted wooden shelves are included behind wooden doors at intervals of 2 Raster, and fitted glass shelves are included behind glass doors.

Fabric-covered flaps:

Fabric-covered flaps in black version.

Drawer frames in standard beech.

Combinations of floor and wall units:

If floor and wall units are combined within an arrangement, there must not be any skirting boards in the room near the floor units, otherwise they must be removed.

Max. load:

Max. load of wooden and glass shelves (up to 60.0 cm width) as well as drawers: 25 kg

Max. load of wooden and glass shelves (from 60.0 cm width): 15 kg

Please also note any maximum loads which may be stated in the type list for the individual units!

hülsta-SoftFlow:

All drawers on hidden roller bearings as fully pullout units with automatic cushioning device

Labelling in type list drawings / assembly notes for wall units

Labelling in type list drawings / assembly notes for wall units

The majority of units have two wall mounting points (= number of base plates), if these are to be fitted as wall units. This is not explicitly mentioned in the type list. If a different number of wall mounting points (= base plates) is required, this is marked in the drawings in the type list with numbers in black boxes. Please be sure to note here the information and notes in the "Wall composition" chapter!

3

4

Notes on delivery

Notes on delivery:

The majority of the units are delivered standard as **fully connected units (glued)** so that the carcass **cannot be disassembled**. There are however some **exceptions** to this rule:

Some carcasses are delivered as complete units but can be **disassembled into individual sections** in the final customer's home. These types are marked with a **1** in the type list.

Some carcasses are delivered **in individual sections** because of their size. These types are marked with a **2** in the type list.

The fronts with the number **2** are delivered separately and can therefore always be (dis-) assembled.

Wall units in general

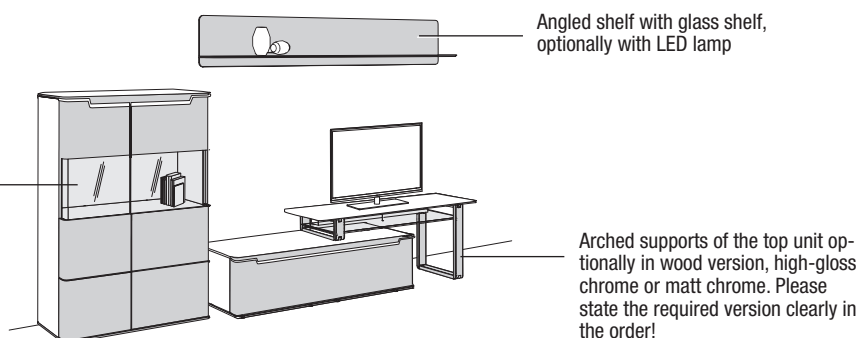
Important notes: Generally speaking, you as a dealer/qualified fitter are responsible for the correct wall mounting of the units. That is why wall mounting should only be carried out by properly trained and qualified fitters. hülsta supplies materials for mounting units on walls for nearly all the units and which should be used for safety and for constructional reasons. The assembly materials supplied by hülsta (plugs, screws) are only suitable for fitting components on to concrete in firmness class C12/15.

For other materials (please see separate materials table in the wall composition chapter) we provide you with an assembly mortar set as an extra order. Please note that this assembly mortar set is also only suitable for the materials listed in the materials table. If walls are made up of other materials (e.g. plastered or lighter wall materials), one should use another method of mounting better suited to the load on site. Please note that if the units are not mounted properly on the wall, there is a risk of the units falling down or tipping over – especially when alternative mounting materials acquired on site have been used. For the reasons stated above it is absolutely essential to enquire about the composition of any walls before signing any contracts.

Possible arrangement

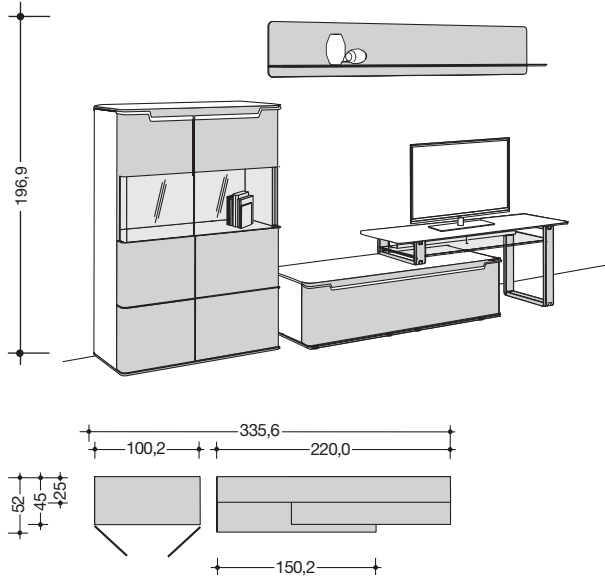
Lower shelf and rear wall behind glass panels and in open compartments optionally in wood version or in glass version, optionally rear-lacquered in white or grey.

If a LED rear wall lamp is included in the compartment behind the glass panel, the rear wall of glass is not supplied.



Special combinations

Special combinations are arrangements that are reduced in price. This price advantage is only available when the arrangement is ordered exactly as described. The special combinations can be enhanced by including accessories. These are charged extra.



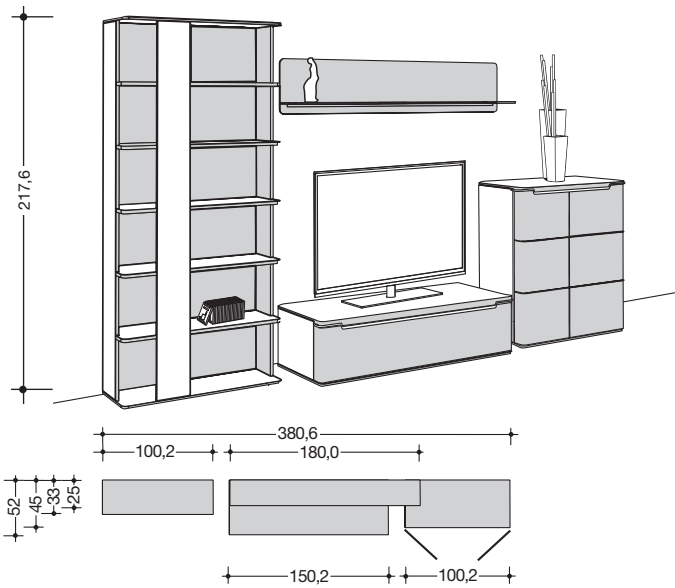
Arched supports of the top unit optionally in wood version, high-gloss chrome or matt chrome; please state the required version clearly in the order!

Arched supports of the top unit in **wood version**

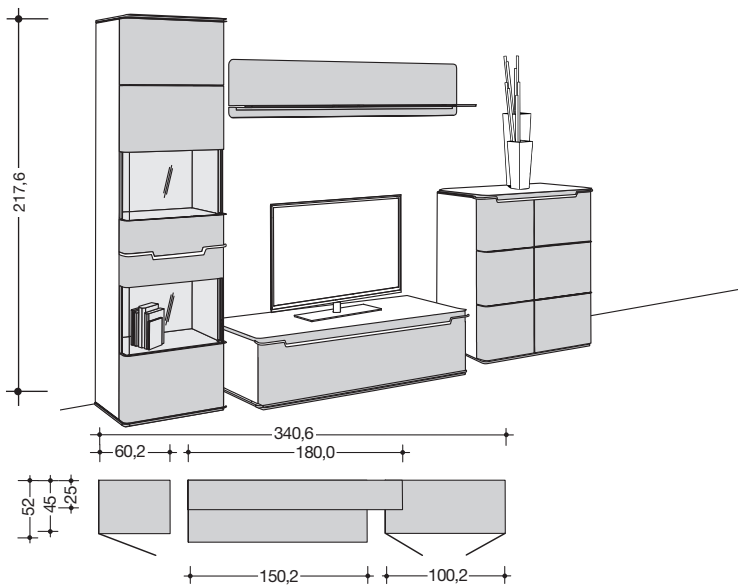
Price gr. I II	as illustr. v. versa	990101
		991101

Arched supports of the top unit in **high-gloss chrome or matt chrome**

Price gr. I II	as illustr. v. versa	990101
		991101



Price gr. I II	as illustr. v. versa	990102
		991102

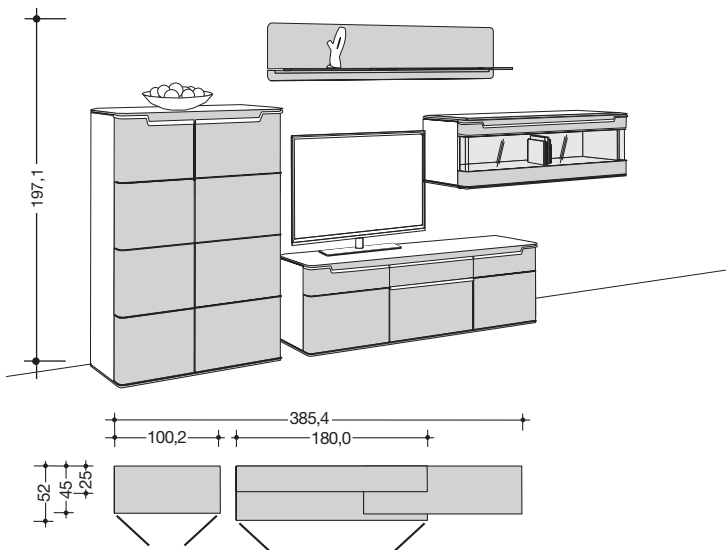


Price gr. I II	as illustr. v. versa	990103
		991103

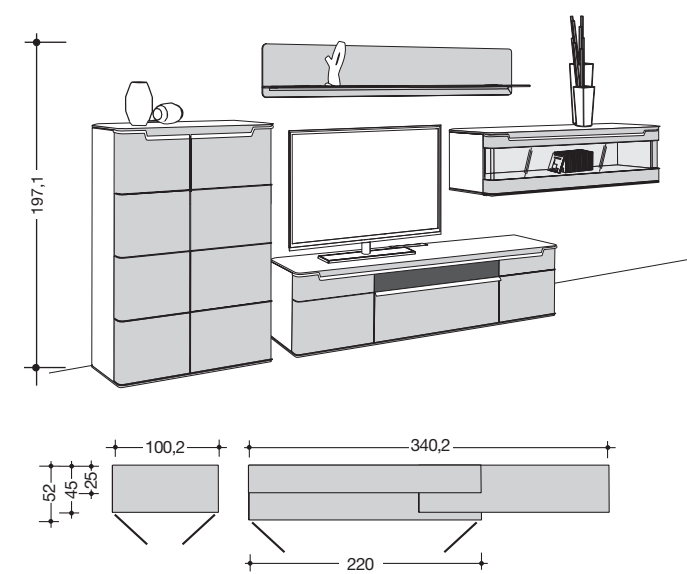
Suggested combinations

VEDUA

As an alternative to planning an individual unit from the complete range there is the possibility of choosing from specially suggested combinations. This eases planning. Incorporating accessories can enhance the suggested combinations. These are charged extra.



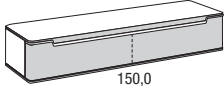
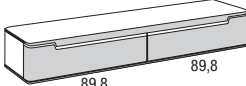
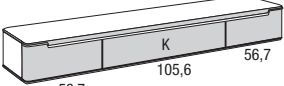
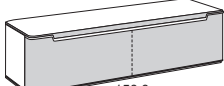
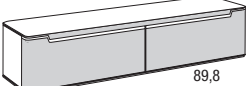
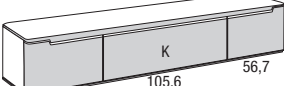
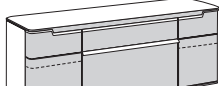

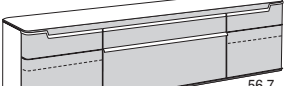


Price gr. I II	as illustr.	980104
	v. versa	981104



Price gr. I II	as illustr.	980103
	v. versa	981103

Lowboards

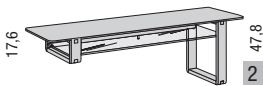
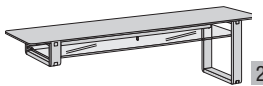
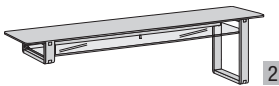
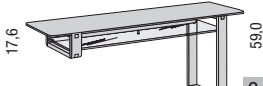
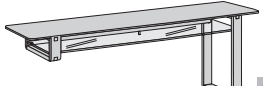
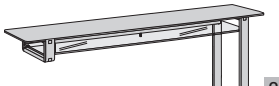
<p>Notes on delivery</p> <p>Please see here the information on page 3!</p>	<p>Assembly notes for wall units:</p> <p>Please be sure to note here the information and notes in the "Wall composition" chapter!</p>
1	3
2	4

<p>1.5 Raster lowboards 28.3 cm high (30.4 cm high incl. 2.1 cm high plinth adjusters)</p> <p>2 Raster lowboards 39.5 cm high (41.6 cm high incl. 2.1 cm high plinth adjusters)</p> <p>3 Raster lowboards 57.1 cm high (59.2 cm high incl. 2.1 cm high plinth adjusters)</p> <p>45.0 and 52.0 cm deep</p> <p>Handles, doors: See here the information on page 3</p>	<p>1.5 Raster high</p> <p>1 drawer with split drawer frame</p>  <p>150,0</p> <p>150 cm wide</p>	<p>2 drawers</p>  <p>89,8 89,8</p> <p>180 cm wide</p>	<p>with 1 drawer left and right as well as 1 flap in the centre</p>  <p>56,7 K 105,6 56,7</p> <p>220 cm wide</p>					
		45.0 cm deep	52.0 cm deep	45.0 cm deep	52.0 cm deep	45.0 cm deep	52.0 cm deep	
		115401	115501	118401	118501	122401	122501	
	Price gr.							
	I							
	II							
		<p>2 Raster high</p> <p>1 drawer with split drawer frame</p>  <p>150,0</p> <p>150 cm wide</p>	<p>2 drawers</p>  <p>89,8 89,8</p> <p>180 cm wide</p>	<p>with 1 drawer left and right as well as 1 flap in the centre</p>  <p>56,7 K 105,6 56,7</p> <p>220 cm wide</p>				
		45.0 cm deep	52.0 cm deep	45.0 cm deep	52.0 cm deep	45.0 cm deep	52.0 cm deep	
		215401	215501	218401	218501	222401	222501	
	Price gr.							
I								
II								
	<p>3 Raster high</p> <p>with 1 door left and right as well as 2 drawers in the centre</p>  <p>36,7 75,6 36,7</p> <p>150 cm wide</p>	<p>with 1 door left and right as well as 2 drawers in the centre</p>  <p>56,7 65,6 56,7</p> <p>180 cm wide</p>	<p>with 1 door left and right as well as 2 drawers in the centre</p>  <p>56,7 105,6 56,7</p> <p>220 cm wide</p>					
	45.0 cm deep	52.0 cm deep	45.0 cm deep	52.0 cm deep	45.0 cm deep	52.0 cm deep		
	315401	315501	318401	318501	322401	322501		
Price gr.								
I								
II								
	<p>3 Raster high</p> <p>with 1 door left and right as well as 1 flap and 1 drawer in the center</p>  <p>56,7 K 65,6 56,7</p> <p>180 cm wide</p>	<p>with 1 door left and right as well as 1 flap and 1 drawer in the center</p>  <p>56,7 K 105,6 56,7</p> <p>220 cm wide</p>						
			45.0 cm deep	52.0 cm deep	45.0 cm deep	52.0 cm deep		
			318411	318511	322411	322511		
Price gr.								
I								
II								

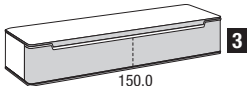
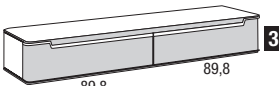
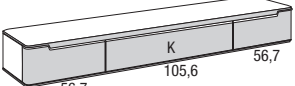
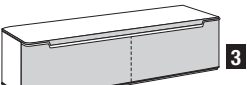
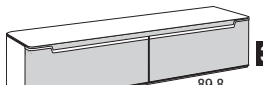

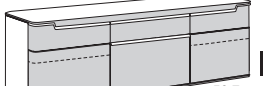
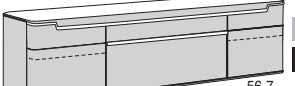
6 K = Flap

Top units for 1.5 and 2 Raster floor lowboards

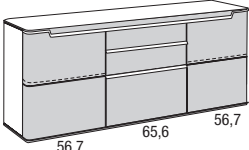
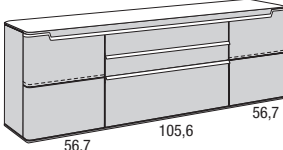
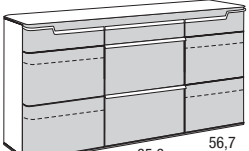
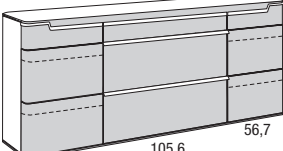
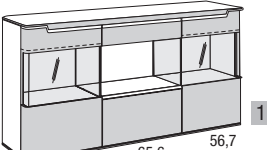
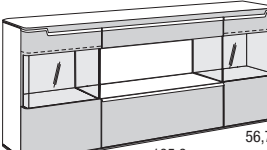
VEDUA

<p>Top units for 1.5 Raster lowboards 17.6/47.8 cm high 45.0 cm deep</p> <p>Top units for 2 Raster lowboards 17.6/59.0 cm high 45.0 cm deep</p> <p>Arched supports optionally in wood version, in high-gloss chrome or in matt chrome; please state the required version clearly in the order!</p> <p>Max. load: 30 kg</p> <p>Usable sizes between top wooden surface and lower glass shelf incl. metal support: Height: 10.1 cm Width (each side): 59.8; 89.8 or 129.8 cm Depth: 27.0 cm</p>	<p>Top units for 1.5 Raster lowboards</p>  <p>150 cm wide</p>		<p>Top units for 1.5 Raster lowboards</p>  <p>180 cm wide</p>		<p>Top units for 1.5 Raster lowboards</p>  <p>220 cm wide</p>		
	45.0 cm deep		45.0 cm deep		45.0 cm deep		
		Arched supports in wood version	Arched supports in high-gloss chrome or matt chrome	Arched supports in wood version	Arched supports in high-gloss chrome or matt chrome	Arched supports in wood version	Arched supports in high-gloss chrome or matt chrome
	as illustr. v. versa	21501 21502	21501 21502	21801 21802	21801 21802	22201 22202	22201 22202
	Price gr. I II						
	<p>Top units for 2 Raster lowboards</p>  <p>150 cm wide</p>		<p>Top units for 2 Raster lowboards</p>  <p>180 cm wide</p>		<p>Top units for 2 Raster lowboards</p>  <p>220 cm wide</p>		
	45.0 cm deep		45.0 cm deep		45.0 cm deep		
		Arched supports in wood version	Arched supports in high-gloss chrome or matt chrome	Arched supports in wood version	Arched supports in high-gloss chrome or matt chrome	Arched supports in wood version	Arched supports in high-gloss chrome or matt chrome
	as illustr. v. versa	31501 31502	31501 31502	31801 31802	31801 31802	32201 32202	32201 32202
	Price gr. I II						

Wall lowboards

<p>1.5 Raster wall lowboards 28.3 cm high 45.0 cm deep</p> <p>2 Raster wall lowboards 39.5 cm high 45.0 cm deep</p> <p>3 Raster wall lowboards 57.1 cm high 45.0 cm deep</p> <p>for fitting anywhere on walls</p> <p>Max. load: for 1.5 Raster high wall lowboards: 30 kg; for 2 and 3 Raster high wall lowboards: 60 kg</p> <p>Important information on the quality of walls, interior fittings, handles, doors: See here the information on page 3</p> <p>Accessories: See pages 17-19</p> <p>K = Flap</p>	<p>1.5 Raster high 1 drawer</p>  <p>150 cm wide</p>		<p>2 drawers</p>  <p>180 cm wide</p>		<p>with 1 drawer left and right as well as 1 flap in the centre</p>  <p>220 cm wide</p>	
	45.0 cm deep		45.0 cm deep		45.0 cm deep	
		115411		118411		122411
	Price gr. I II					
	<p>2 Raster high 1 drawer</p>  <p>150 cm wide</p>		<p>2 drawers</p>  <p>180 cm wide</p>		<p>with 1 drawer left and right as well as 1 flap in the centre</p>  <p>220 cm wide</p>	
	45.0 cm deep		45.0 cm deep		45.0 cm deep	
		215411		218411		222411
	Price gr. I II					
	<p>3 Raster high</p>		<p>with 1 door left and right as well as 2 drawers in the centre</p>  <p>180 cm wide</p>		<p>with 1 door left and right as well as 2 drawers in the centre</p>  <p>220 cm wide</p>	
			45.0 cm deep		45.0 cm deep	
			318421		322421	
Price gr. I II						

Sideboards

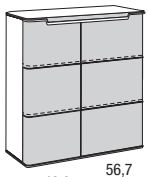
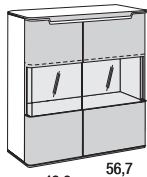
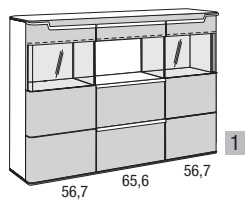
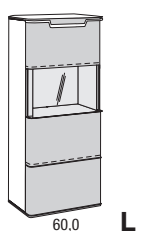
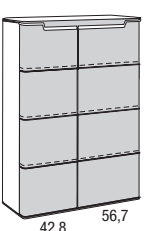
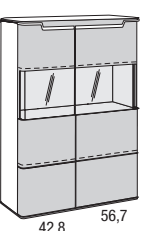
<p>4 Raster sideboards 74.7 cm high (76.8 cm high incl. 2.1 cm high plinth adjusters) 45.0 cm deep</p> <p>5 Raster sideboards 92.3 cm high (94.4 cm high incl. 2.1 cm high plinth adjusters) 45.0 cm deep</p> <p>Glass panels, lower shelf and rear wall behind glass panels and in open compartments, interior fittings, handles, doors: See here the information on page 3</p> <p>Accessories: See pages 17-19</p>	<p>4 Raster high</p> <p>with 1 door left and right as well as 3 drawers in the centre</p>  <p>180 cm wide</p>	<p>with 1 door left and right as well as 3 drawers in the centre</p>  <p>220 cm wide</p>
	45.0 cm deep	45.0 cm deep
	418401	422401
	Price gr. I II	
<p>5 Raster high</p> <p>with 1 door left and right as well as 3 drawers in the centre</p>  <p>180 cm wide</p>	<p>with 1 door left and right as well as 3 drawers in the centre</p>  <p>220 cm wide</p>	
45.0 cm deep	45.0 cm deep	
518401	522401	
Price gr. I II		
<p>5 Raster high</p> <p>with 1 door with clear glass panel left and right as well as 2 drawers and 1 open compartment incl. rear wall in the centre</p>  <p>180 cm wide</p>	<p>with 1 door with clear glass panel left and right as well as 2 drawers and 1 open compartment incl. rear wall in the centre</p>  <p>220 cm wide</p>	
45.0 cm deep	45.0 cm deep	
518411	522411	
Price gr. I II		

Single units and highboards

Notes on delivery
Please see here the information on page 3!

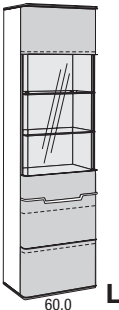
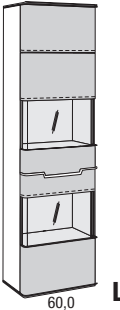
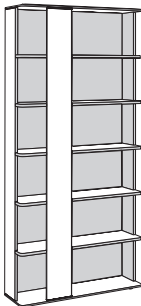
Assembly notes for wall units:
Please be sure to note here the information and notes in the "Wall composition" chapter!

VEDUA

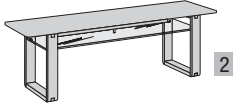
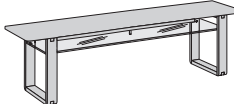
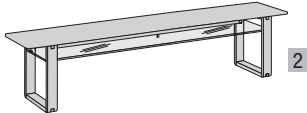
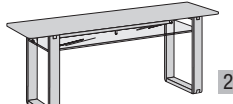
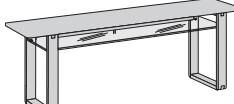
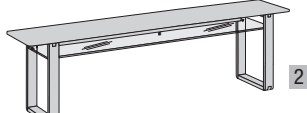
<p>6 Raster single units 109.9 cm high (112.0 cm high incl. 2.1 cm high plinth adjusters) 45.0 cm deep</p> <p>7 Raster highboard 127.5 cm high (129.6 cm high incl. 2.1 cm high plinth adjusters) 45.0 cm deep</p> <p>8 Raster single units 145.1 cm high (147.2 cm high incl. 2.1 cm high plinth adjusters) 45.0 cm deep</p> <p>Glass panels, lower shelf and rear wall behind glass panels and in open compartments, interior fittings, handles, doors: See here the information on page 3 See here the information on page 3 Accessories: See pages 17-19</p>	<p>6 Raster high 2 doors</p>  <p>42,8 56,7 100 cm wide</p>	<p>2 doors with clear glass panel</p>  <p>42,8 56,7 100 cm wide</p>		
		45.0 cm deep	45.0 cm deep	
	Price gr. I II	as illustr. v. versa 610401 610402	610411 610412	
	<p>7 Raster high with 1 door with clear glass panel left and right as well as 3 drawers and 1 open compartment incl. rear wall in the centre</p>  <p>56,7 65,6 56,7 180 cm wide</p>			
	45.0 cm deep			
Price gr. I II	718411			
	<p>8 Raster high 1 door with clear glass panel</p>  <p>60,0 L 60 cm wide</p>	<p>2 doors</p>  <p>42,8 56,7 100 cm wide</p>	<p>2 doors with clear glass panel</p>  <p>42,8 56,7 100 cm wide</p>	
	45.0 cm deep	45.0 cm deep	45.0 cm deep	
Price gr. I II	86411 L 86412 R	as illustr. v. versa 810401 810402	810411 810412	

K = Flap

Cabinets and bookcase unit

<p>12 Raster cabinets 215.5 cm high (217.6 cm high incl. 2.1 cm high plinth adjusters) 45.0 cm deep</p> <p>12 Raster bookcase unit 215.5 cm high (217.6 cm high incl. 2.1 cm high plinth adjusters) 33.0 cm deep</p> <p>Glass panels, lower shelf and rear wall behind glass panels, interior fittings, handles, doors: See here the information on page 3 See here the information on page 3 Accessories: See pages 17-19</p>	<p>12 Raster high Cabinet 1 door with clear glass panel</p>  <p>60,0 L 60 cm wide</p>		<p>Cabinet 1 door with clear glass panel</p>  <p>60,0 L 60 cm wide</p>		<p>Bookcase unit with 5 shelves</p>  <p>100 cm wide</p>	
	45.0 cm deep		45.0 cm deep		33.0 cm deep	
	<p>126411 L 126412 R</p>		<p>126431 L 126432 R</p>		<p>as illustr. v. versa</p> <p>12101 12102</p>	
	<p>Price gr. I II</p>					

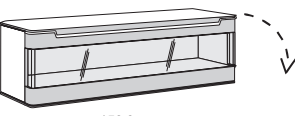
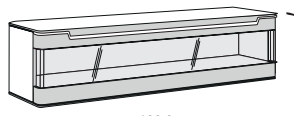
Stand-alone units

<p>2 Raster stand-alone units 47.8 cm high 45.0 cm deep</p> <p>3 Raster stand-alone units 59.0 cm high 45.0 cm deep</p> <p>Arched supports optionally in wood version, high-gloss chrome or in matt chrome; please state the required version clearly in the order!</p> <p>Max. load: 30 kg</p> <p>Usable sizes between top wooden surface and lower glass shelf incl. metal support: Height: 10.1 cm Width (each side): 59.8; 89.8 or 129.8 cm Depth: 27.0 cm</p>	<p>2 Raster stand-alone units</p>  <p>150 cm wide</p>		 <p>180 cm wide</p>		 <p>220 cm wide</p>							
	45.0 cm deep		45.0 cm deep		45.0 cm deep							
	Arched supports in wood version		Arched supports in high-gloss chrome or matt chrome		Arched supports in wood version		Arched supports in high-gloss chrome or matt chrome					
	2150		2150		2180		2180		2220		2220	
	<p>Price gr. I II</p>											
	<p>3 Raster stand-alone units</p>  <p>150 cm wide</p>		 <p>180 cm wide</p>		 <p>220 cm wide</p>							
	45.0 cm deep		45.0 cm deep		45.0 cm deep							
	Arched supports in wood version		Arched supports in high-gloss chrome or matt chrome		Arched supports in wood version		Arched supports in high-gloss chrome or matt chrome		Arched supports in wood version		Arched supports in high-gloss chrome or matt chrome	
	3150		3150		3180		3180		3220		3220	
	<p>Price gr. I II</p>											
<p>Important note: Please note that objects placed on stand-alone units will tend to fall off more easily in the case of knocks or collisions.</p>												

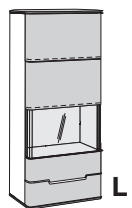
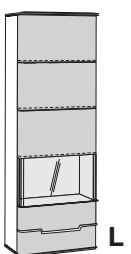
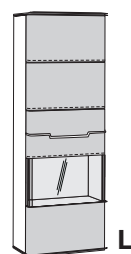
Notes on delivery
Please see here the information on page 3!

Assembly notes for wall units:
Please be sure to note here the information and notes in the "Wall composition" chapter!

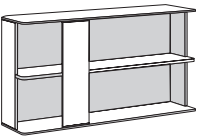
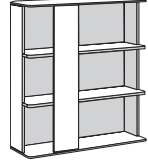
Wall units

<p>Wall units 45.9 cm high 45.0 cm deep</p> <p>for fitting anywhere on walls</p> <p>Max. load: 30 kg</p> <p>Important information on the quality of walls, glass panels, lower shelf and rear wall behind glass panels, handles: See here the information on page 3 See here the information on page 3 Accessories: See pages 17-19</p>	<p>1 flap with clear glass panel and flap hinge at bottom</p>  <p>150,0 150 cm wide</p>		<p>1 flap with clear glass panel and flap hinge at bottom</p>  <p>180,0 180 cm wide</p>	
	<p>45.0 cm deep</p>		<p>45.0 cm deep</p>	
	<p>21541</p>		<p>21841</p>	
	<p>Price gr. I II</p>			

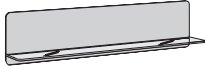
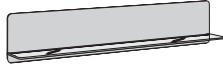
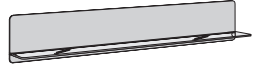
Wall cabinets

<p>8 Raster wall cabinet 145.1 cm high 45.0 cm deep</p> <p>10 Raster wall cabinets 180.3 cm high 45.0 cm deep</p> <p>for fitting anywhere on walls</p> <p>Max. load: 40 kg</p> <p>Important information on the quality of walls, glass panels, lower shelf and rear wall behind glass panels, handles, doors: See here the information on page 3 See here the information on page 3 Accessories: See pages 17-19</p>	<p>8 Raster high</p> <p>1 door with clear glass panel</p>  <p>60,0 60 cm wide</p>	<p>10 Raster high</p> <p>1 door with clear glass panel</p>  <p>60,0 60 cm wide</p>	<p>1 door with clear glass panel</p>  <p>60,0 60 cm wide</p>	
	<p>45.0 cm deep</p>	<p>45.0 cm deep</p>	<p>45.0 cm deep</p>	
	<p>86431 L 86432 R</p>	<p>106411 L 106412 R</p>	<p>106431 L 106432 R</p>	
	<p>Price gr. I II</p>			

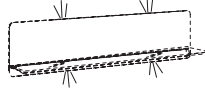
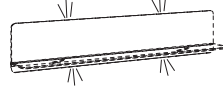
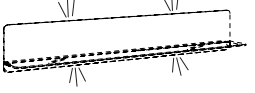
Wall bookcase units

<p>4 Raster wall bookcase unit 74.7 cm high 33.0 cm deep</p> <p>6 Raster wall bookcase unit 109.9 cm high 33.0 cm deep</p> <p>for fitting anywhere on walls</p> <p>Max. load: 40 kg</p> <p>Important information on the quality of walls: See here the information on page 3</p> <p>Accessories: See pages 17-19</p>	<p>4 Raster high</p> <p>Wall bookcase unit with 1 shelf</p>  <p>140 cm wide</p>	<p>6 Raster high</p> <p>Wall bookcase unit with 2 shelves</p>  <p>100 cm wide</p>
	<p>33.0 cm deep</p>	<p>33.0 cm deep</p>
	<p>as illustr. v. versa</p> <p>4101 4102</p>	<p>6101 6102</p>
	<p>Price gr. I II</p>	

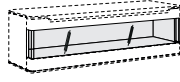
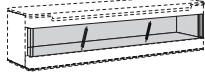
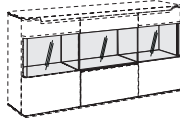
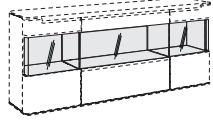
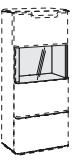
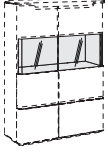

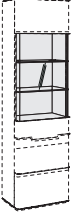
Angled shelves with glass shelf

<p>Angled shelves with glass shelf 35.2 cm high 25.0 cm deep</p> <p>for fitting anywhere on walls</p> <p>Max. load: 15 kg</p> <p>Important information on the quality of walls: See here the information on page 3</p> <p>LED lamp for angled shelves with glass shelf: see below!</p>	 150 cm wide		 180 cm wide		 220 cm wide	
	25.0 cm deep		25.0 cm deep		25.0 cm deep	
	21523		21823		22223	
	Price gr. I II					

LED lamp for angled shelves

<p>LED lamp for angled shelves</p> <p>LED lamp incl. footswitch. A Magic-Tronic or remote control unit is possible for operation (against surcharge; see page 19)</p> <p>This luminaire contains built-in LED lamps of the energy classes A++ to A. The lamps cannot be changed in the luminaire. 12 V; 21.2 - 30.0 W</p>	 2x 10.6 W for 150 cm width		 2x 12.9 W for 180 cm width		 2x 15.0 W for 220 cm width	
	1515		1805		2205	

Lower shelf and rear wall in glass version

<p>Lower shelf and rear wall behind glass panels and in open compartments in glass version</p> <p>Lower shelf and rear wall behind glass panels and in open compartments, optionally in rear-lacquered glass, white or grey.</p> <p>Please state the required version clearly in the order!</p> <p>If a rear wall lamp is included in the compartment behind the glass panel, the rear wall of glass is not supplied.</p>	 for 150 cm width		 for 180 cm width		 for 180 cm width		 for 220 cm width	
	1514		1814		1804		2204	
	 for 60 cm width		 for 100 cm width		 for 60 cm width		 for 60 cm width	
	704		1004		724		714	

Notes on delivery
Please see here the information on page 3!

Assembly notes for wall units:
Please be sure to note here the information and notes in the "Wall composition" chapter!

Media lowboards

VEDUA

3 Raster media lowboards
57.1 cm high
(59.2 cm high incl. 2.1 cm high plinth adjusters)
52.0 cm deep

Cover shelf with cable cover in high-gloss chrome on rear edge.

Interior fittings, fabric-covered flaps, handles, doors:
See here the information on page 3

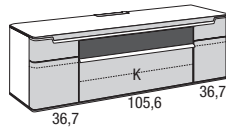
Cable management:
See here the information on page 15

Accessories:
See pages 14-15

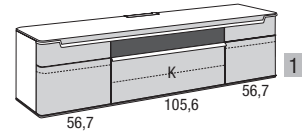
with 1 door left and right as well as 1 fabric-covered flap and 1 flap in the centre

Usable sizes behind fabric-covered flap:
Height: 16.7 cm
Width: 99.0 cm
Depth: 39.1 cm

Usable sizes behind bottom flap:
Height top compartment: 12.5 cm
Height bottom compartment: 16.0 cm
Width: 99.0 cm
Depth: 36.7 cm



180 cm wide



220 cm wide

52.0 cm deep

52.0 cm deep

318516

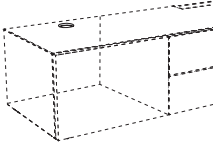
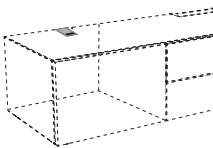
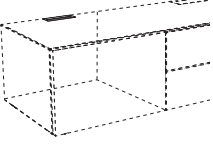
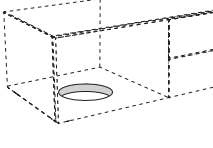
322516

Price gr.
I
II

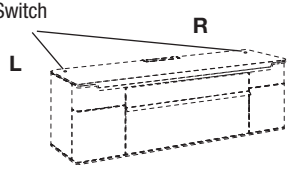
K = Flap

Accessories for media lowboards


Cable apertures / subwoofer base cut-out section

	<p>Cable aperture K1 Silver-coloured; Ø 8.0 cm; It is possible to fit a cable aperture in the top shelf of the lowboard. The cable aperture can be made at the rear of the top shelf. The position is in the centre of the compartment, distance from centre of aperture to rear rim of unit: 7.0 cm</p>	<p>K1</p>
	<p>Cable aperture K7 Silver-coloured; 7.0 x 12.0 cm; It is possible to fit a cable aperture in the top shelf of the lowboard. The position is in the centre of the compartment as well as left and right of the centre partition – flush with the rear edge of the unit.</p>	<p>K7</p>
	<p>Cable aperture K8 Silver-coloured; 12.8 x 3.2 cm; It is possible to fit a cable aperture in the top shelf of the lowboard. The cable aperture can be made at the rear rim of the top shelf as well as left and right of the centre partitions. The position is in the centre of the compartment.</p>	<p>K8</p>
	<p>Subwoofer base cut-out section Base cut-out section Ø 25 cm; The sounds from the subwoofer pass out through the base cut-out section in the lowboard without hindrance. The exact position in the carcass is predetermined ex-works and cannot be altered.</p>	<p>14</p>

Integrated multiple socket

<p>Integrated multiple socket Can be fitted in lowboard behind rear wall optionally left (L) or right (R). Switch fitted in cover shelf optionally left or right, 12 cm from outer side (see sketch). Please state the exact position of the cable aperture in the order! 7.4 cm high, 44.6 cm long, 5.7 cm deep</p>		<p>Multiple socket with on/off function all 6 sockets permanent current</p> <p>291 L 292 R</p>
---	--	---

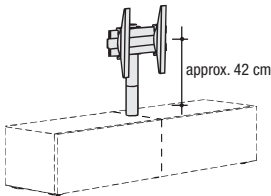
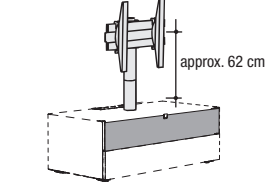
Top glass section for TV

<p>Top glass section for TV 14.2 cm high; 93.0 cm wide, 40.0 cm deep Glass surface, 1.0 cm thick, of clear glass; to be fitted on lowboards Max. load: 50 kg</p>		<p>1917</p>
---	--	--------------------

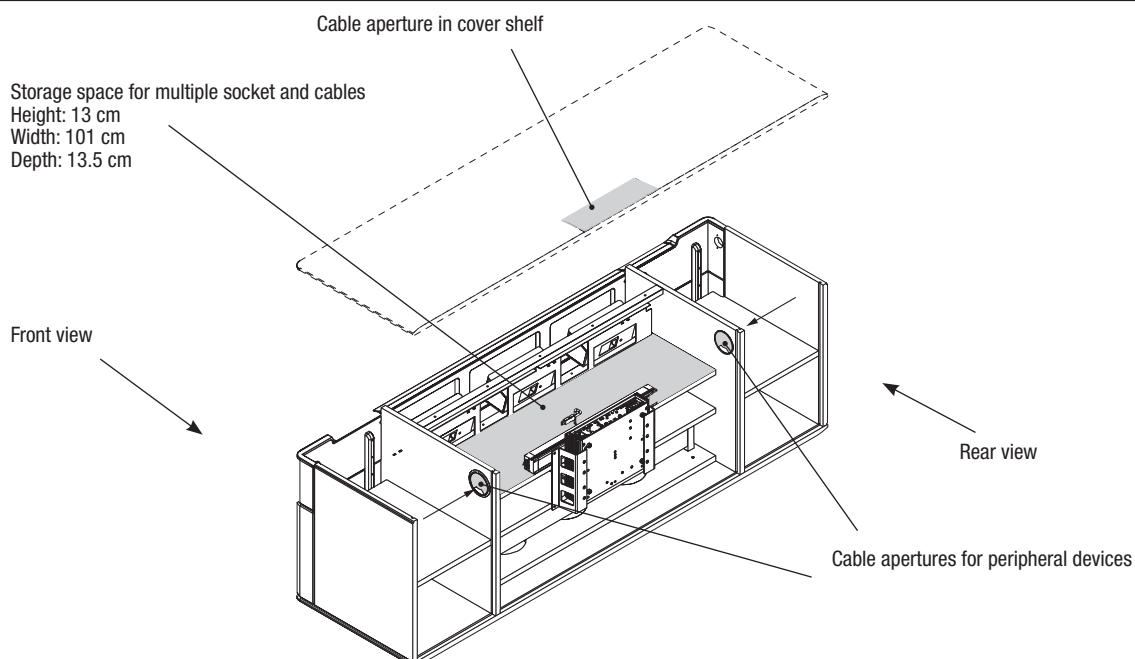
IR repeater set

<p>IR repeater set Infrared signal transmission sets for operating media units behind wooden/lacquered fronts. You can operate all the units in one compartment with one set. The following applies:</p> <ul style="list-style-type: none"> • One set must be used for each compartment. 2 transmitters can also be installed for large compartments in order to increase performance. In this case only one additional transmitter needs to be ordered. • The transmitter must be placed in the direct vicinity of the receiver eye of the media unit. • Transmissible IR frequency band 20 - 60 kHz • Up to 3 transmitters can be combined with one receiver <p>It is possible to use 3 transmitters via 1 receiver including Master box. This enables simultaneous operation of 3 different furniture compartments or in critical situations it allows fitting out one furniture compartment with several transmitters in order to increase the performance in this compartment or to operate 2 end units placed next to one another.</p> <p>The IR repeater set consists of:</p> <ul style="list-style-type: none"> • 1 receiver eye (Ø 3.0 cm), incl. standing bracket • 1 electrical transmitter • 1 plug EVG 12 V • Cable clips <p>Please note the details stated in the operating instructions!</p>	<p>IR repeater set 1 receiver eye and 1 transmitter incl. standing bracket</p> <p style="text-align: center;">2001</p>
	<p style="text-align: center;">Extra transmitter</p> <p style="text-align: center;">2003</p>

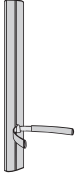



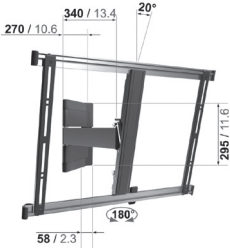
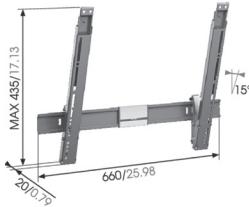
TV columns

<p>TV columns can be rotated and adjusted in angle, for fitting on floor lowboards with partition (not possible with 2 Raster lowboards with 2 drawers on top of one another and wall lowboards). The TV column can only be fitted above a partition. The partition is provided with a cut-out section for cables (no surcharge). No drawers are possible below the TV column.</p> <p>The revolving TV column 52 is suitable for flat screens with a screen diagonal of 38"-52" (96-132 cm), max. load: 35 kg TV revolving column 52 compatible with VESA Norm standard: min. 75 x 75 mm, max. 400 x 400 mm</p> <p>The revolving TV column 65 is suitable for flat screens with a screen diagonal of 38"-65" (96-165 cm), max. load: 40 kg TV revolving column 65 compatible with VESA Norm standard: min. 75 x 75 mm, max. 800 x 400 mm</p>	<p>TV column 52</p> 					
	<p>TV column 65</p> 	<table border="1"> <tr> <td style="text-align: center;">TV column 52</td> <td style="text-align: center;">TV column 65</td> </tr> <tr> <td style="text-align: center;">9404</td> <td style="text-align: center;">9403</td> </tr> </table>	TV column 52	TV column 65	9404	9403
TV column 52	TV column 65					
9404	9403					



Cable management




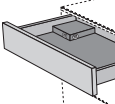


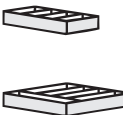

Column system, flat screen supports

<p>Column system consisting of a metal column (for fitting anywhere on wall) and of audio/DVD support(s), for fitting anywhere on column.</p> <p>Example of use:</p> 	<p>Columns of metal; for fitting anywhere on walls above top rim of plinth slat; cables can be laid and hidden at any height; audio/DVD supports can be fitted anywhere on the column.</p> 		<p>Audio/DVD support of metal; can be positioned at any height on the column and be adjusted to suit audio/DVD players of any size; with rubber padding at front to prevent units from slipping; max. load: 10 kg</p> 
<p>Flat screen support WTL6 The flat screen support can be adjusted 3-dimensionally. It is suitable for flat screens with a screen diagonal of 102-216 cm (40"-85"); max. load: 45 kg. Suitable for Curved TV's. Flat screen support compatible with VESA Norm standard: min.: 200 x 200 mm max.: 600 x 400 mm</p> 	<p>Flat screen support THIN 345, ideally adaptable The flat screen support can be adjusted 3-dimensionally. It is suitable for flat screens with a screen diagonal of 102-165 cm (40"-65") and a maximum depth of 5.0 cm; max. load: 25 kg. Go to www.vogels.com to check if your flat screen can be fitted on this flat screen support. Enter the name THIN 345. After a few steps you can see if your flat screen TV is compatible with the flat screen support. Not suitable for Curved TV's. Flat screen support compatible with VESA Norm standard: min.: 100 x 100 mm max.: 600 x 400 mm</p> 		<p>Flat screen support THIN 315 The flat screen support can be angled up to a max. 15°. It is suitable for flat screens with a screen diagonal of 102-165 cm (40"-65") and a maximum depth of 5.0 cm; max. load: 25 kg. Go to www.vogels.com to check if your flat screen can be fitted on this flat screen support. Enter the name THIN 315. After a few steps you can see if your flat screen TV is compatible with the flat screen support. Not suitable for Curved TV's. Flat screen support compatible with VESA Norm standard: min.: 100 x 100 mm max.: 600 x 400 mm</p> 
<p>for fitting anywhere on wall</p> <p>9704</p>	<p>for fitting anywhere on wall</p> <p>9304</p>		<p>for fitting anywhere on wall</p> <p>9504</p>

Fitted shelves


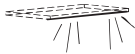
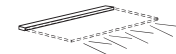

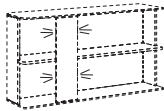
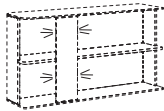
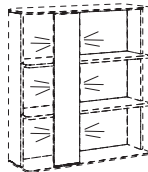
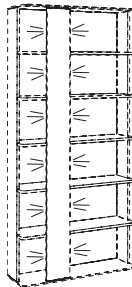
			for 36.7 cm front width	for 56.7 cm front width	for 60.0 cm front width	for 100.0 cm front width	for 105.6 cm wide flaps
 Fitted wooden shelf 1.9 cm thick	for 45.0 cm depth	Price gr. I II	1341 L 1342 R	1541 L 1542 R	164	144	1104
	for 52.0 cm depth	Price gr. I II	1351 L 1352 R	1551 L 1552 R			1105
 Fitted glass shelf (clear glass) 0.8 cm thick	for 45.0 cm depth				Width: 55.2 cm Depth: 37.6 cm or 31.0 cm in front of illuminated niche rear walls 364		

Accessories for drawers

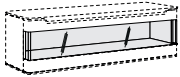
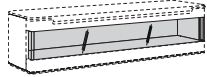
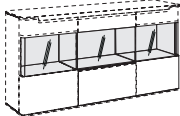
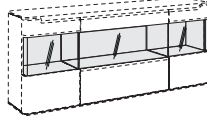
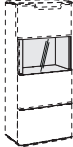
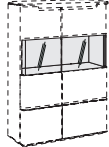
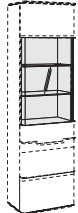
			for 56.7 cm front width	for 65.6 cm front width	for 75.6 cm front width	for 89.8 cm front width	for 105.6 cm wide flaps	for 150.0 cm front width
 Tableau lined with grey fabric	for 45.0 cm depth		8620	8621	8622	8623	8624	8625
	for 52.0 cm depth		8626	8627	8628	8629	8630	8631
 USB charging station with two double USB connections (for mobiles, tablets, etc.); current strength per double USB connection: 1x max. 2.100 mA or 2x 1.050 mA. The USB charging station is only suitable for devices that are compatible with the above power level data. Connection cable between USB charging station and device is not supplied.	for 45.0 cm depth		Please state in your order in which drawer the USB charging station is to be fitted. If no details are given in the order, the USB charging station is fitted as standard in the top right drawer.					
	for 52.0 cm depth		8526	8527	8528	8529	8530	8531
 CD holder for drawers Please state exactly in your order and drawing in which 2 Raster drawer the CD holder is to be fitted.	for 45.0 cm depth		8420	8421	8422	8423	8424	8425
	for 52.0 cm depth		8426	8427	8428	8429	8430	8431
 DVD holder for drawers Please state exactly in your order and drawing in which 2 Raster drawer the DVD holder is to be fitted.	for 45.0 cm depth		8320	8321	8322	8323	8324	8325
	for 52.0 cm depth		8326	8327	8328	8329	8330	8331
 Cutlery box of metal, lined with grey fabric inside; incl. compartments	for 45.0 cm depth		17.6 cm wide			35.2 cm wide		
			855			856		
 Cutlery holder lined with grey fabric, for fitting in drawers Set 1: for 60 pcs of cutlery Set 2: for 17 serving utensils			Set 1: for standard cutlery like spoons, forks, knives, etc.			Set 2: for sauce ladles, cake forks, cake servers, etc.		
			116			117		

Accessories

Lamps

<p>LED light strip for fitting in units 1.0 cm thick, 1.1 cm deep; for fitting in fitted wooden shelves</p> <p>This luminaire contains built-in LED lamps of the energy classes A+++ to A. The lamps cannot be changed in the luminaire. 12 V; 3.2-12.5 W</p> 	<table border="1" style="width: 100%; text-align: center;"> <tr> <td style="width: 25%;">3.2 W</td> <td style="width: 25%;">6.3 W</td> <td style="width: 25%;">9.8 W</td> <td style="width: 25%;">12.5 W</td> </tr> <tr> <td>for 60.0 cm width</td> <td>for 100.0 cm width</td> <td>for 150.0 cm wide wall units</td> <td>for 180.0 cm wide wall units</td> </tr> <tr> <td>602</td> <td>1002</td> <td>1502</td> <td>1802</td> </tr> </table>				3.2 W	6.3 W	9.8 W	12.5 W	for 60.0 cm width	for 100.0 cm width	for 150.0 cm wide wall units	for 180.0 cm wide wall units	602	1002	1502	1802
3.2 W	6.3 W	9.8 W	12.5 W													
for 60.0 cm width	for 100.0 cm width	for 150.0 cm wide wall units	for 180.0 cm wide wall units													
602	1002	1502	1802													
<p>LED light strip for fitting in sideboards 1.0 cm thick, 1.1 cm deep; for fitting in fitted wooden shelves</p> <p>This luminaire contains built-in LED lamps of the energy classes A+++ to A. The lamps cannot be changed in the luminaire. 12 V; 11.1-13.7 W</p> 	<p style="text-align: center;">1x 4.7 W and 2x 3.2 W</p> <p style="text-align: center;">for 180.0 cm width</p> <p style="text-align: center;">1812</p>		<p style="text-align: center;">1x 7.3 W and 2x 3.2 W</p> <p style="text-align: center;">for 220.0 cm width</p> <p style="text-align: center;">2212</p>													
<p>Glass rim lamp LED light strip in aluminium frame, for fitting behind fitted glass shelves. Later fitting not possible.</p> <p>This luminaire contains built-in LED lamps of the energy classes A+++ to A. The lamps cannot be changed in the luminaire. 12 V; 3.9 W</p> 	<p style="text-align: center;">3.9 W</p> <p style="text-align: center;">for 56.2 cm front width (12 Raster high cabinet with 5R glass compartment)</p> <p style="text-align: center;">601</p>															
<p>Integrated power LED spotlight for fitting in units, open compartments, bottom cover shelves of wall units</p> <p>This luminaire contains built-in LED lamps of the energy classes A+++ to A. The lamps cannot be changed in the luminaire. 12 V; 3.0 W</p> 	<p style="text-align: center;">3.0 W</p> <p style="text-align: center;">7941</p>															
<p>LED lamp for bookcase units for fitting in shelves of the wall and floor bookcase units behind the wide, front panels</p> <p>This luminaire contains built-in LED lamps of the energy classes A+++ to A. The lamps cannot be changed in the luminaire. 12 V; 3.2-14.9 W</p> 	<p style="text-align: center;">3.2 W</p>  <p style="text-align: center;">for 4 Raster high wall bookcase unit</p> <p style="text-align: center;">41</p>	<p style="text-align: center;">6.3 W</p>  <p style="text-align: center;">for 6 Raster high wall bookcase unit</p> <p style="text-align: center;">61</p>	<p style="text-align: center;">14.9 W</p>  <p style="text-align: center;">for 12 Raster high floor bookcase unit</p> <p style="text-align: center;">121</p>													


Lamps

<p>LED rear wall lamps behind clear glass panels and in open compartments When the LED lamp is switched off, the rear wall appears as a mirror rear wall. Later fitting and more lamps inside or under the compartments not possible!</p> <p>This luminaire contains built-in LED lamps of the energy classes A+++ to A. The lamps cannot be changed in the luminaire. 12 V; 14.1-49.3 W</p>	<p>27.0 W</p>  <p>for 150.0 cm width</p> <p>1513</p>	<p>30.0 W</p>  <p>for 180.0 cm width</p> <p>1813</p>
	<p>2x 13.7 W and 1x 15.7 W</p>  <p>for 180 cm width (lamps over the entire width)</p> <p>1803</p>	<p>2x 13.7 W and 1x 21.9 W</p>  <p>for 220 cm width (lamps over the entire width)</p> <p>2203</p>
	<p>14.1 W</p>  <p>for 60 cm front width</p> <p>703</p>	<p>20.3 W</p>  <p>for 100 cm front width</p> <p>1003</p>
	<p>22.3 W</p>  <p>for 60 cm front width</p> <p>713</p>	

Magic-Tronic

<p>The lamps are normally operated by an external footswitch. As an alternative we can also provide a Magic-Tronic switch, which is charged extra. By "stroking" the outer or top side of the unit at the same level as the invisible integrated sensor it is possible to switch all the lamps on and off ("Stroking method"). As an alternative the position of the hidden sensor can also be marked with a small metal plate on the furniture unit ("Marking method"). Lamps with a maximum power of 200 W can be operated by a Magic-Tronic unit (230 V). The footswitch is omitted when a Magic-Tronic unit is included.</p>	
<p>Please be sure to observe the information and notes regarding the assembly position!</p>	<p>7617</p>

Remote control unit with changing colours

<p>The lamps are normally operated by an external footswitch. The colour temperature of the LED lamps is cold white if a footswitch is used. A 4-channel remote control unit (= transmitter), which is charged extra, is also available as an alternative. Several lamps (up to a total load of a maximum 30 W per transformer and receiver) can be operated with each of the 4 channels. All 4 channels can be dimmed separately at the push of a button. The colour temperature of all 4 channels can be set from cold white (= the basic setting of the LED lamps) to warm white. If warm white is required, a radio remote control unit must be ordered. It is also possible to switch all channels on and off simultaneously with the "all on" or "all off" buttons. Up to 4 transmitters can operate as many receivers as required. Transmitters and receivers must be ordered separately. The footswitch is omitted when the remote control unit is used.</p>					
	<table border="1" style="width: 100%;"> <tr> <th>Price per transmitter</th> <th>Price per receiver</th> </tr> <tr> <td style="text-align: center;">2016</td> <td style="text-align: center;">2017</td> </tr> </table>	Price per transmitter	Price per receiver	2016	2017
Price per transmitter	Price per receiver				
2016	2017				

DINING Dining tables and chairs

DINING

hülsta offers a room concept to meet all requirements in comfort, beauty of form and attractiveness with a comprehensive collection of dining room tables and chairs.

The **dining tables** in a wide variety of sizes (with and without pullout function) in all wood surface versions and in contemporary designs, as well as the **dining chairs** that can be combined individually using different armrests, comfort features, high-grade cover fabrics (leather, textiles) and metal surfaces can all be found in the **"DINING"** type list.



Coffee tables CT 170

Coffee tables CT 170

The CT 170 coffee table stands on arched supports of solid wood or metal in high-gloss chrome or matt chrome and is available in sizes of 70 x 70 cm and 120 x 70 cm. The CT 170 can be fitted with an optional drawer.

You will find the CT 170 coffee table as well as other coffee tables in the **"Coffee tables"** type list.



Coffee tables

Coffee tables

hülsta offers a comprehensive **collection of coffee tables**, which not only match the hülsta furniture ranges perfectly but can also be combined with other products that are available on the market. You will find these coffee tables in a number of designs, sizes and versions in the **"Coffee tables"** type list.





Cable apertures

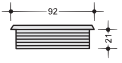
It is possible to provide the cover shelves, side sections, shelves, etc., in units from nearly all the hülsta living room ranges with cable apertures so it is easier to feed cables of electronic equipment through these units. There are four different types of cable apertures to choose from, as listed here. **Please be sure to follow the important notes.**

Cable aperture K1

Cable aperture for 80 mm hole, silver colour
Standard cable aperture; particularly suitable for cover shelves, side sections and shelves

Dimensions:

Assembly height: 21 mm
Outside diameter: 92 mm
Inside diameter: 74 mm
Diameter of hole: 80 mm



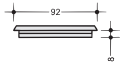
K1

Cable aperture K2

Cable aperture for 80 mm hole, silver colour
particularly suitable for rear walls and side sections

Dimensions:

Assembly height: 8 mm
Outside diameter: 92 mm
Inside diameter: 74 mm
Diameter of hole: 80 mm



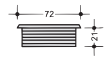
K2

Cable aperture K3

Cable aperture for 60 mm hole, silver colour
particularly suitable for shelves and constructional shelves (suitable to an extent for scart cables)

Dimensions:

Assembly height: 21 mm
Outside diameter: 72 mm
Inside diameter: 54 mm
Diameter of hole: 60 mm



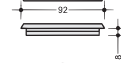
K3

Cable aperture K20

Cable aperture for 80 mm hole, silver colour
particularly suitable for side-panels and centre partitions

Dimensions:

Assembly height: 2x 8 mm
Outside diameter: 92 mm
Inside diameter: 74 mm
Diameter of hole: 80 mm



K20

IMPORTANT NOTES Please be sure to note!

Please be sure to state the **exact position** of the cable aperture in your order (always measure distances from the centre of the cable aperture). For **wall units** the cable aperture is only possible in the bottom position (due to the suspension brackets). For **cover shelves**, the position of the cable aperture is determined in the factory, in accordance with factors specific to the given range. The same applies to technical exceptions because of custom-based planning. The K 20 is positioned in the centre (depthwise) in the **side-panel**. Please state the exact height (centre of hole of cable aperture from bottom rim of side-panel)! Subject to technical progress.

The **minimum distance** for the cable aperture (measured from the inside): 100 mm from the side and 70 mm from the rear (for horizontal surfaces) or 100 mm from the side and 70 mm from the base (for vertical surfaces). Please state if the aperture is to be fitted at the left, at the right or in the centre.

Standard position: If no details of the exact position of the cable aperture are given in your order, the cable aperture is always fitted at the bottom centre or at the rear centre of the relevant surface, whereby the distances stated above still apply.

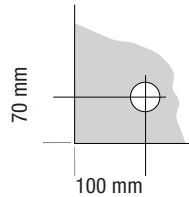
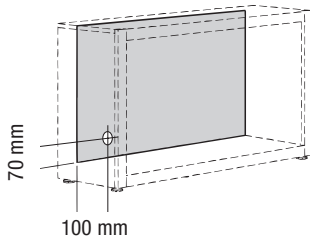
Caution! Please note that the cable aperture can not be fitted where there is an integrated or front spotlight, centre partitions or a split rear wall. **Please be sure to observe the following explanatory diagrams!**

for vertical surfaces

for horizontal surfaces

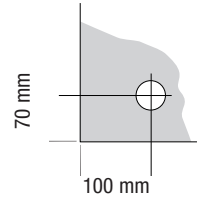
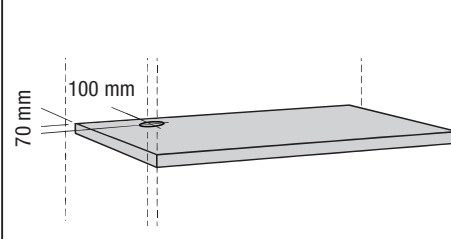
Minimum distance

100 mm from the side and 70 mm from the base



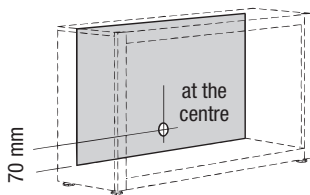
Minimum distance

100 mm from the side and 70 mm from the rear



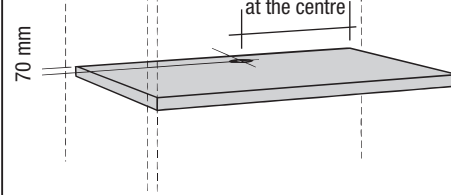
Standard position

at the centre of the surface and 70 mm from the base



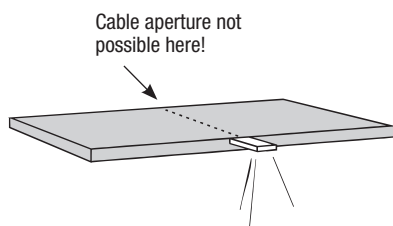
Standard position

at the centre of the surface and 70 mm from the rear



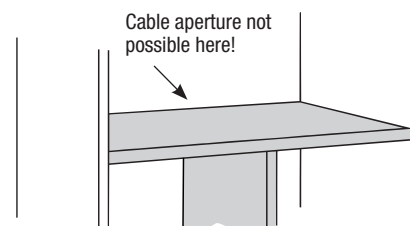
Caution!

If there is an integrated or front spotlight in a shelf, for example, the cable aperture cannot be fitted at this position!



Caution!

If there is a centre partition, for example, between two shelves, the cable aperture cannot be fitted at this position!



Magic-Tronic

The lamps are normally operated by an external footswitch. As an alternative we can also provide a Magic-Tronic switch, which is charged extra. By “stroking” the outer or top side of the unit at the same level as the invisible integrated sensor it is possible to switch all the lamps on and off (“Stroking method”). As an alternative the position of the hidden sensor can also be marked with a small metal plate on the furniture unit (“Marking method”). Lamps with a maximum power of 200 W can be operated by a Magic-Tronic unit (230 V). The footswitch is omitted when a Magic-Tronic unit is included.

Standard position of Magic-Tronic:

- for (assembly) units and wall units: **in the right outer side section**
- for side-panel combinations: **in the right outer side-panel**

Standard depth position:

- for (assembly) units, wall units and side-panels: **approx. 12 cm from the rear rim**

Standard height position:

- for all ranges (exception: SCOPIA range): for 1 to 8 Raster high floor (assembly) units and side-panels: **approx. 7-15 cm from the top rim of the appropriate unit**
- for the SCOPIA range: for 2 to 12 Raster high floor (assembly) units: **approx. 7-15 cm from the top rim of the appropriate unit**
- for all ranges (exception: SCOPIA range): for 10 to 12 Raster high floor (assembly) units and side-panels: **in approx. 115 cm height**
- for the SCOPIA range: for 16 to 18 Raster high floor (assembly) units: **in approx. 115 cm height**
- for wall units: **fitted at a height determined in the factory in accordance with factors specific to the given range.** The same applies to technical exceptions because of custom-based planning.
- for angled wooden shelves: fitted **in the right side of the rear wall panel in accordance with factors specific to the given range**

Alternative positions:

If the Magic-Tronic sensor is to be fitted in the **left outer side section** of an (assembly) unit or wall unit, in the **left outer side-panel, in the left side of the rear wall panel of angled wooden shelves or at any position other than that stated as standard** (e.g., if a unit is planned in a niche so that there is insufficient space to the right of the unit), **please state this clearly in the order and mark the position in the sketch. If in doubt, please contact your hülsta customer advisor!**

Please note:

- Double functions in one shelf like spotlamps, lamps, transformers, wall shelf brackets and Magic-Tronic units are not possible for reasons of stability and lack of space.
- In the case of NEO media panels, the unit is fitted 12 cm from the right side and from the bottom rim.

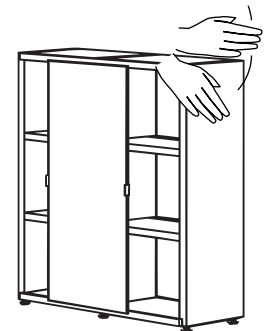


Illustration 1: “Stroking method“

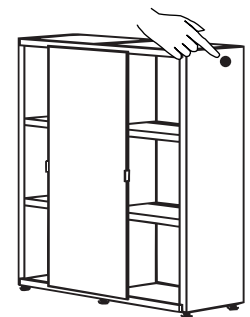


Illustration 2: “Marking method“

Magic-Tronic

7617

Examples of use (schematic diagrams)

Black point = Standard position of Magic-Tronic sensor for floor (assembly) units, wall units and angled wooden shelves (example 1) or for side-panels (example 2)

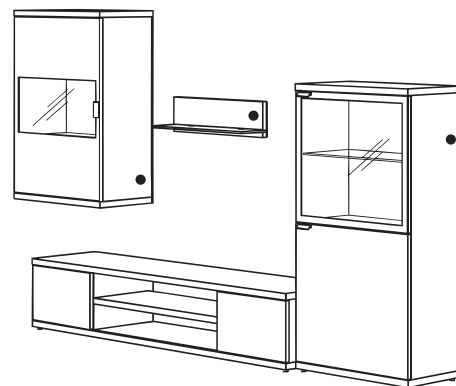
Notes:

The black point in the drawings is the area where the Magic-Tronic sensor is invisibly integrated. If the surface is „stroked“ at this position, the lamps are switched on or off.

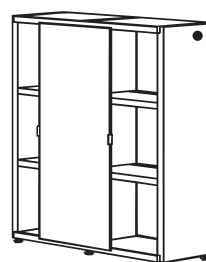
If you would like to mark the position of the Magic-Tronic sensor on the furniture, you can fit a small metal plate supplied separately at the corresponding position.

In side-panels the Magic-Tronic unit can be operated from both sides of the side-panel, i.e. both from the outside as well as from the inside of the right side-panel - this means that the Magic-Tronic can even be operated when the furniture is fitted in a niche and there is insufficient space to the right of the unit. Please note here that no objects should be placed on the inside of the unit in order to be able to operate the Magic-Tronic from the inside.

Example 1



Example 2



Remote control unit with changing colours

The lamps are normally operated by an external footswitch. The colour temperature of the LED lamps is cold white if a footswitch is used. A 4-channel remote control unit, which is charged extra, is also available as an alternative. Several lamps (up to a total load of a maximum 30 W per transformer and receiver) can be operated with each of the 4 channels. All 4 channels can be dimmed separately at the push of a button. The colour temperature of all 4 channels can be set to any level from cold white (approx. 6500 kelvin = the basic setting of the LED lamps) to warm white (approx. 2700 kelvin). If warm white is required, a radio remote control unit must be ordered. It is also possible to switch all channels on and off simultaneously with the "all on" or "all off" buttons. Up to 4 transmitters can operate as many receivers as required. Transmitters and receivers must be ordered separately. The footswitch is omitted when the remote control unit is used.

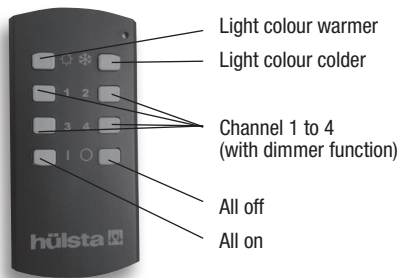
The following points must be noted with the radio remote control unit:

- The receiver must be positioned behind a rear wall or under plinth shelves (at least 20 mm space required under plinth shelves).
- The total wattage power of all lamps included per power supply unit/receiver must not exceed 30 W.
- 4 channels = 4 light groups
- 1 light group = x lights
- All lamps within a light group can be dimmed to the same brightness.
- The same light colour can be set for all lamps in all the light groups. This light colour is then valid for all the lamps.
- The remote control unit is not suitable for equipment operating on 110 V.

Important notes:

The information on basic settings for the LED lamps as well as setting the colour temperature do not apply to the MEGA-DESIGN and MULTI-VARIS ranges! Please be sure to note the operating and programming instructions!

4-channel remote control unit with changing colours



4-channel remote control unit with changing colours

Price per transmitter	type	2016
Price per receiver	type	2017

Examples of use (schematic diagrams)

Example 1

Lights inside a unit

Channel 1 operates (and dims) all the lights in light group 1, i.e. the LED spotlamp in the left cabinet

Channel 2 operates (and dims) all the lights in light group 2, i.e. the LED spotlamps in the open compartment

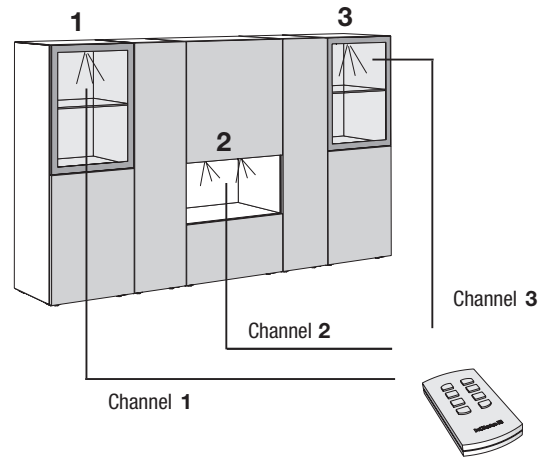
Channel 3 operates (and dims) all the lights in light group 3, i.e. the LED spotlamp in the right cabinet

Required are:

1 transmitter 1x type **2016**
1 receiver 1x type **2017**

Notes:

The total wattage power of all lamps included per power supply unit/receiver must not exceed 30 W. The same light colour can be set for all lamps in all the light groups. This light colour is then valid for all the lamps.



Example 2

Lights in units set apart

Channel 1 operates (and dims) all the lights in light group 1, i.e. the LED spotlamp and the LED light panels in the left cabinet

Channel 2 operates (and dims) all the lights in light group 2, i.e. the LED spotlamps and the LED light panels in the centre cabinet

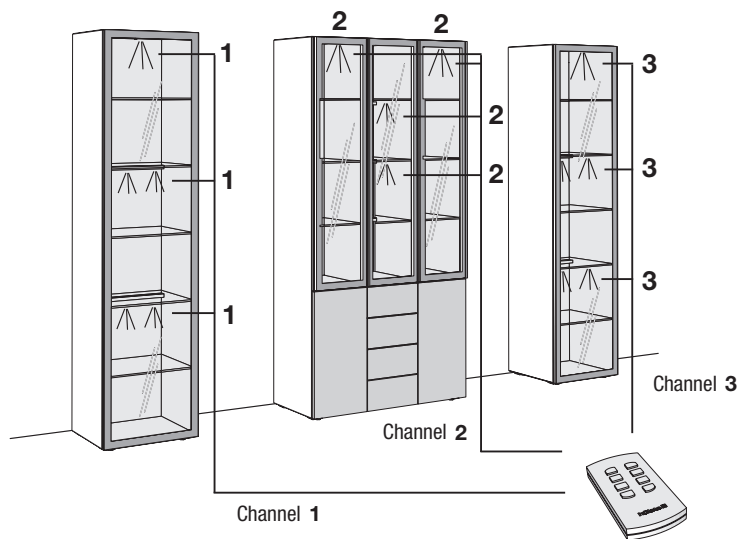
Channel 3 operates (and dims) all the lights in light group 3, i.e. the LED spotlamp and the LED light panels in the right cabinet

Required are:

1 transmitter 1x type **2016**
3 receivers 3x type **2017** 3x

Notes:

The total wattage power of all lamps included per power supply unit/receiver must not exceed 30 W. The same light colour can be set for all lamps in all the light groups. This light colour is then valid for all the lamps.



Example 3

Lights in units set apart

Channel 1 operates (and dims) all the lights in light group 1, i.e. the LED spotlamps in the left, centre and right cabinet

Channel 2 operates (and dims) all the lights in light group 2, i.e. the top LED light panels in the left, centre and right cabinet

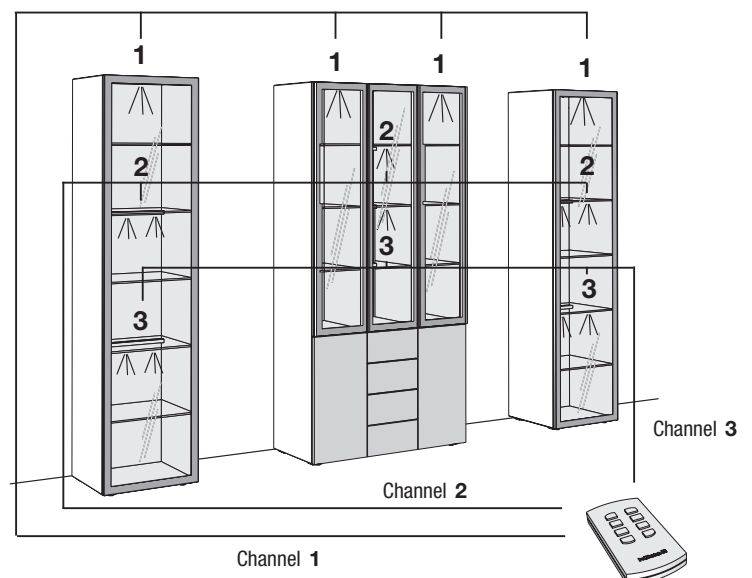
Channel 3 operates (and dims) all the lights in light group 3, i.e. the bottom LED light panels in the left, centre and right cabinet

Required are:

1 transmitter 1x type **2016**
3 receivers 3x type **2017** 3x

Notes:

The total wattage power of all lamps included per power supply unit/receiver must not exceed 30 W. The same light colour can be set for all lamps in all the light groups. This light colour is then valid for all the lamps.



Special-sized products

VEDUA

Special-sized products are possible on request.
Please get in touch with your customer advisor.

Special articles

Cover panels

for side and top panelling of fitted wardrobes (support construction and fitting materials must be acquired on site).

Basic price per order 9901
+ price per m² lacquer or veneer 990
Veneer match with fronts can not be guaranteed.

Rim veneer

superimposed ex works or rims lacquered for veneer and lacquer versions per m. length

9902

Sizes:

Range	max. length	max. width
VEDUA	210.0 cm	33.0 cm

Individual special-sized products

If the special-sized product that you require is so unusual that it cannot be illustrated with the many special sized products that we already provide and charge for, then we will quote you the price using a HK unit type factor. In your order please state for us the relevant enquiry number and the HK unit type factor stated.

HK

Special colours; Note on "Blue Angel" / Emissions label of DGM

Special colours

All the hülsta lacquer colours are possible for nearly all the hülsta ranges.
Availability and prices on request.

Note on "Blue Angel" (RAL-UZ 38) and Emissions label of DGM (Class A)

It is possible that the requirements of the "Blue Angel" and the DGM Emissions Label cannot be met by some of the lacquer colours in price groups II and III (see here the different lacquer versions in the NURIA range), depending on the colour mix (surface ratio of these colours in the corresponding order). However, the legal requirements are definitely met in all cases!

Wall composition / assembly instruction

Important notes:

The composition of walls must be ascertained before concluding a contract and be checked by a qualified fitter before assembly takes place.

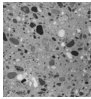



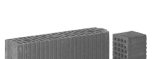
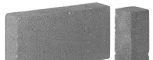
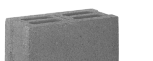

Assembly may only be carried out by a qualified fitter under careful observation of the assembly instructions.

The plastic Rawl plugs with the type name SX 8 x 65 from the Fischer Company supplied by hülsta as a standard set are only suitable for concrete \geq C12/15, if the wall composition and compression strength corresponds to the table below. Under no circumstances must a unit be assembled on light masonry.

Furthermore, we provide a mounting set with assembly mortar from the Fischer Company for the types of walls listed below (see assembly mortar set below). Again, assembly must be carried out by a qualified fitter under careful observation of the wall composition and assembly instruction. The compression strength levels stated below must be met under all circumstances.

Materials table

with a description of which sets are to be used with the following types of walls:

Standard set (SX 8 x 65)	Assembly mortar set only suitable for the materials stated below!	
Concrete C12/15 Compression strength \geq 15 N/mm ² 	 Building bricks Mz 12 Compression strength \geq 12 N/mm ²  Limestone blocks KS 12 Compression strength \geq 12 N/mm ²  Perforated sand lime bricks KSL12 Compression strength \geq 12 N/mm ²  Vertically perforated bricks HLz 12 Compression strength \geq 12 N/mm ² Bulk density \geq 1.0 kg/dm ³	 Solid blocks of light concrete V2 Compression strength \geq 2 N/mm ²  Perforated blocks of light concrete Hbl 2 Compression strength \geq 2 N/mm ²  Aerated concrete PP2 Compression strength \geq 2 N/mm ²

A different and more suitable type of mounting must be chosen by a qualified fitter in all other cases. hülsta cannot accept any responsibility for the choice of any other types of mounting! Please note that if the units are not mounted properly on the wall, there is a risk of the units falling down or tipping over – especially when alternative mounting materials acquired on site have been used. Generally speaking, you as a dealer/qualified fitter are responsible for the correct wall mounting of the units.



Mounting sets

Labelling in type list drawings / assembly notes for wall units

The majority of units have two wall mounting points (= number of support boards), if these are to be fitted as wall units. This is not explicitly mentioned in the type list. If a different number of wall mounting points (= support boards) is required, this is marked in the drawings in the type list with numbers in black boxes. Every support board requires four mounting screws.

- 3** = 3 support boards
- 4** = 4 support boards, etc.

One **assembly mortar set** is sufficient for up to a maximum of 3 support boards or 4 wall side-panels.

Important note: Depending on the composition of the wall (see wall types illustrated above), assembly must be carried out using the special assembly mortar set and a standard trade mastic tool which are the basic essentials for safe and clean workmanship.

Standard set

The standard set consists of 4 plastic Rawl plugs (SX 8 x 65) and 4 mounting screws and is sufficient for 1 support board. The standard sets are included in the packet of fittings to match the number of support boards.

Assembly mortar set for up to a maximum of 3 support boards consisting of:

- 9x injection retaining sleeve
- 9x screw-in sleeve
- 1x injection cartridge
- 2x static mixer
- 1x assembly instructions

Please use the mounting screws from the standard set (supplied free of charge).

Example of order:

- Add up number of support boards for all existing unit types
 - Divide the sum by “3”
 - Round up the result to a full number
- = Number of assembly mortar sets required

M2

Your Hotline to hülsta

Do you have any questions or require any alterations to your order confirmation?
Do you have any questions on our products or your current order?
Do you have any complaints about supplied goods or required replacement parts?
Contact Telephone: +49 (0) 2563 / 86-1144 • email: orders@huelsta.com

Do you have any questions, suggestions or wishes for the **hülsta Marketing team**
or the **hülsta product seminars**?
Contact Telephone: +49 (0) 2563 / 86-1611 • email: marketing@huelsta.com

hülsta Planning Service

Lots to do? A customer wants his project finished and you haven't got enough time? Or the project is so complex that it will take too much time?

This is exactly the kind of situation we created the hülsta Planning Service for. hülsta's employees create the required project for you at short notice. Based on your information, we implement the project perfectly with all views and a complete order list ready for immediate forwarding to the customer.

The hülsta check list (available at <https://hulsta.com/de/service/showroom/>) makes it all really easy for you. You won't forget anything with this list and the customer receives a project he will be thrilled about as quickly as possible.

hülsta Planning Service

Tel.: +49 (0) 2563 / 86-0

Fax: +49 (0) 2563 / 86-2666

Mail: Planungsservice-Handel@huelsta.de

Workdays from 8.00 a.m. until 6.00 p.m.

Special wishes? Come to us!

Maximum individuality! – Maximal flexibility! – hülsta makes most of your special wishes possible.

And if you do have a wish which is not quite so easy to implement, just give us a call or send us a mail or a fax. We have our own hülsta "Special Wishes Team" who are there to help you realise just these customer requests. These colleagues are professionals when it comes to special products. They plan and calculate the products possible for you and even develop an alternative suggestion if the idea should turn out to be technically impossible.

Here is an overview of the hülsta range of special wishes:

- A lot of special products can be ordered simply via the type list
- Special-sized products are planned simply and professionally
- Competent colleagues advise you by phone, by fax and by mail
- You will be sent alternative suggestions if the idea is technically impossible
- Many special-sized products are available without a surcharge
- Specially qualified carpenters and technicians implement your plans perfectly

hülsta Special Wishes Team

Tel.: +49 (0) 2563 / 86-0

Fax: +49 (0) 2563 / 86-1417

Mail: Sonderwunsch@huelsta.com

We are open Saturdays for you, too!

Our **Saturday hotline** is available all day from **10.00 a.m. until 6.00 p.m.**

Telephone: +49 (0) 2563 / 86-1800

On **working days** the hülsta Sales Department is available all day from **8.00 a.m. until 6.00 p.m.**

hülsta VEDUA

Stand: E 4.2018

Design and concept legally protected, subject to error and alterations
to construction, colour and materials by way of technological progress.

hülsta-werke · Karl-Hüls-Straße 1 · D-48703 Stadtlohn
Tel. +49 (0) 2563 / 86-0 · Fax +49 (0) 2563 / 86-1000
www.huelsta.com

hülsta 
Die Möbelmarke.